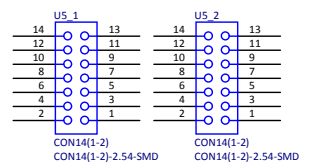
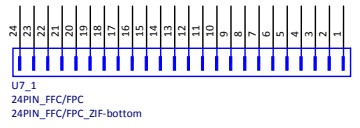
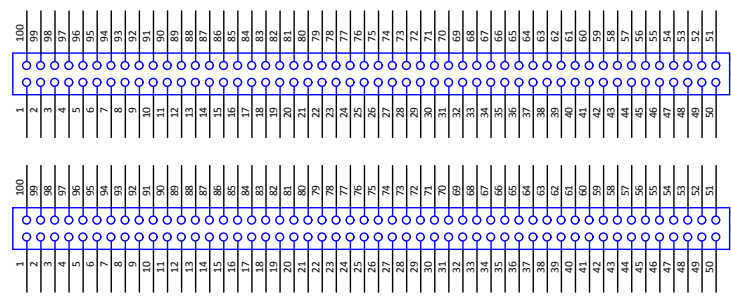
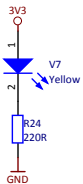
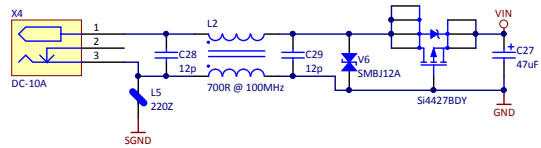
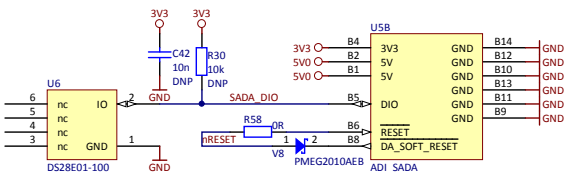
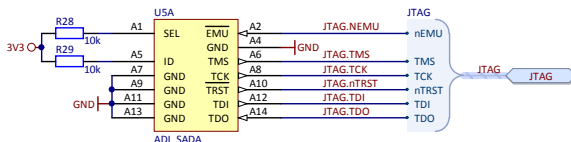
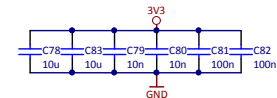
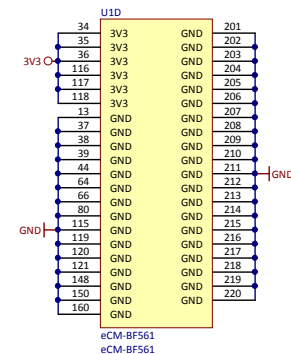
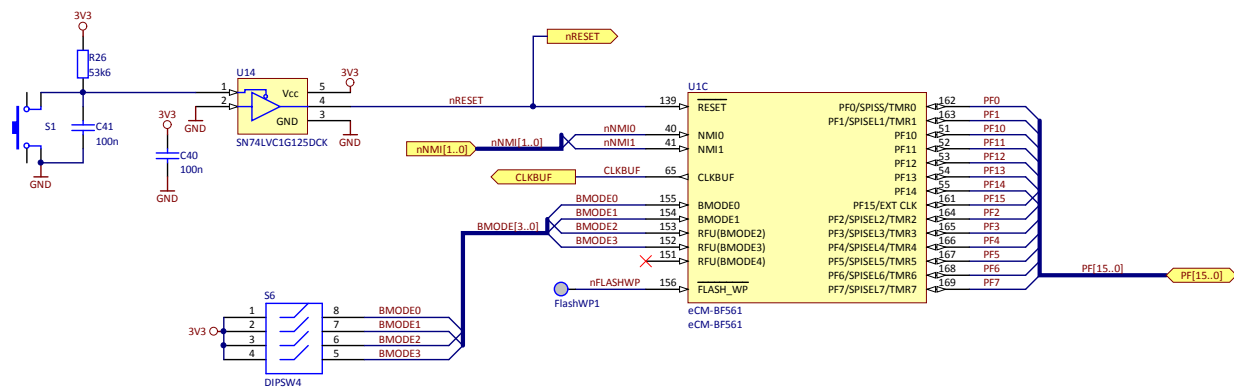
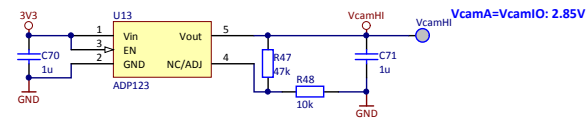
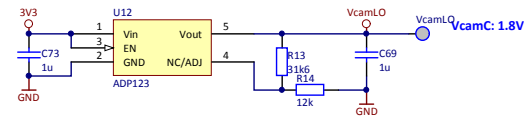
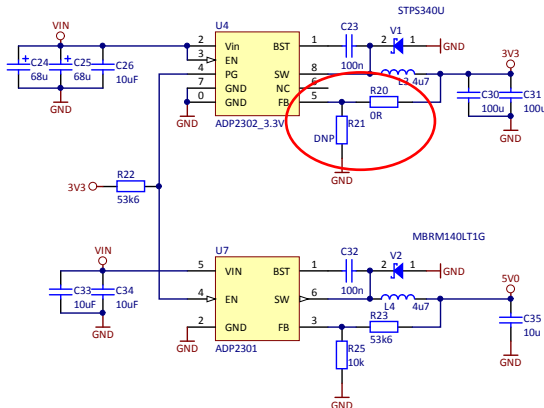


Dummy Connector Symbols for BOM





5.0V: I_{max}=2A (1.5A für 3V3)
3.3V: I_{max}=2A



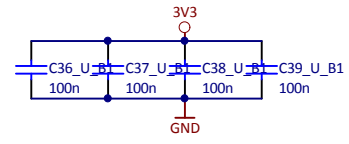
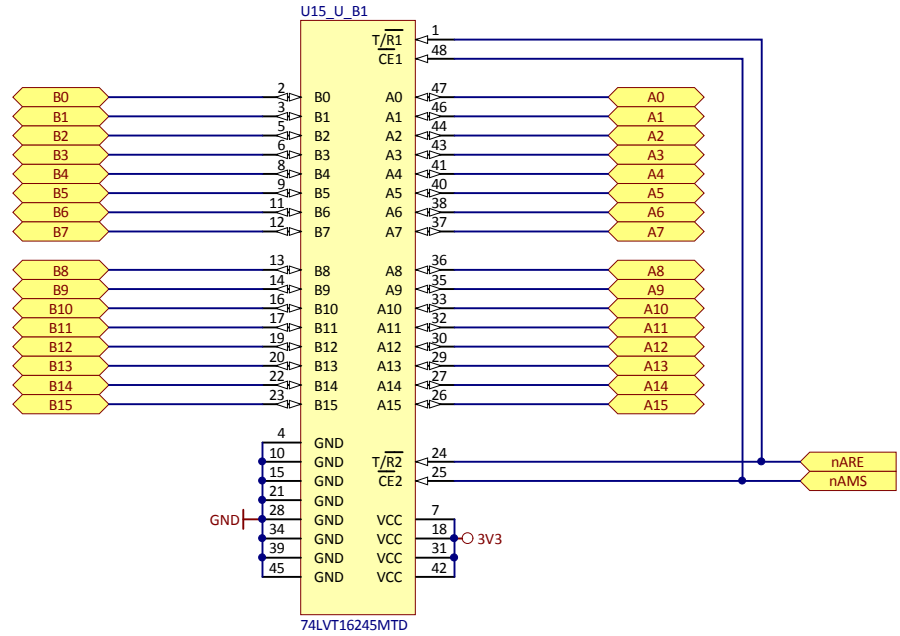
eDEV-BF5xx
Supply / DA

Drawn By: DST
Checked By: ROB, WAC

PN2010026
Rev: V2.0
Size: A3
Sheet: 2 of 7
Last Update: 01.03.2011
Filename: PowerSupply_SchDoc

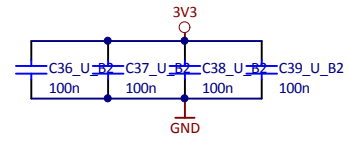
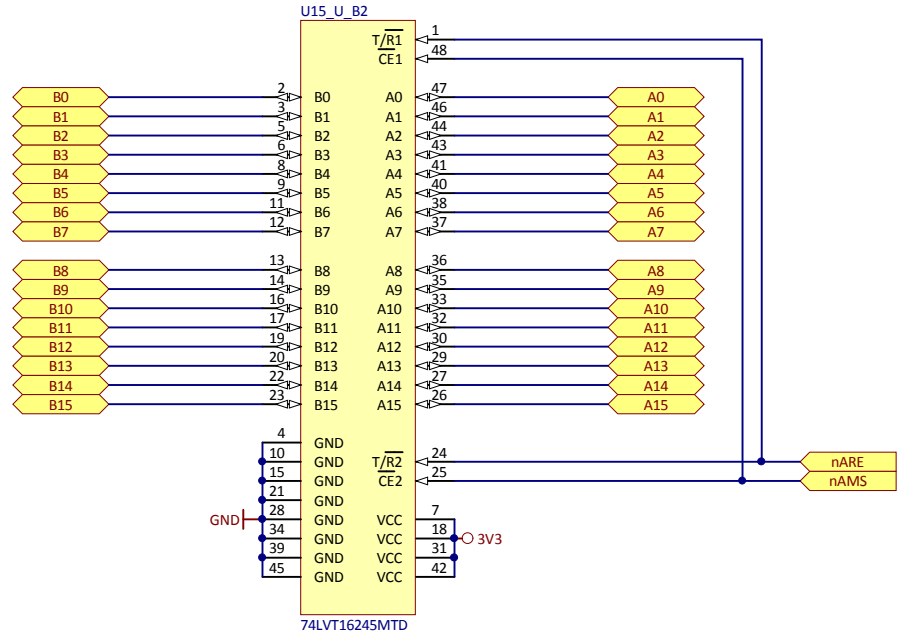
Bluetech
Waldhausenstr. 3/19
A - 1140 Wien
AUSTRIA





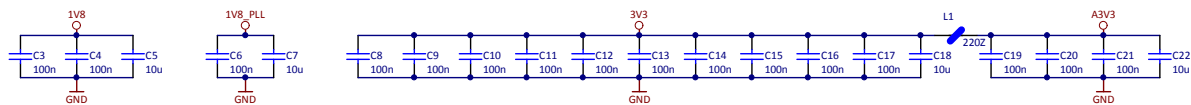
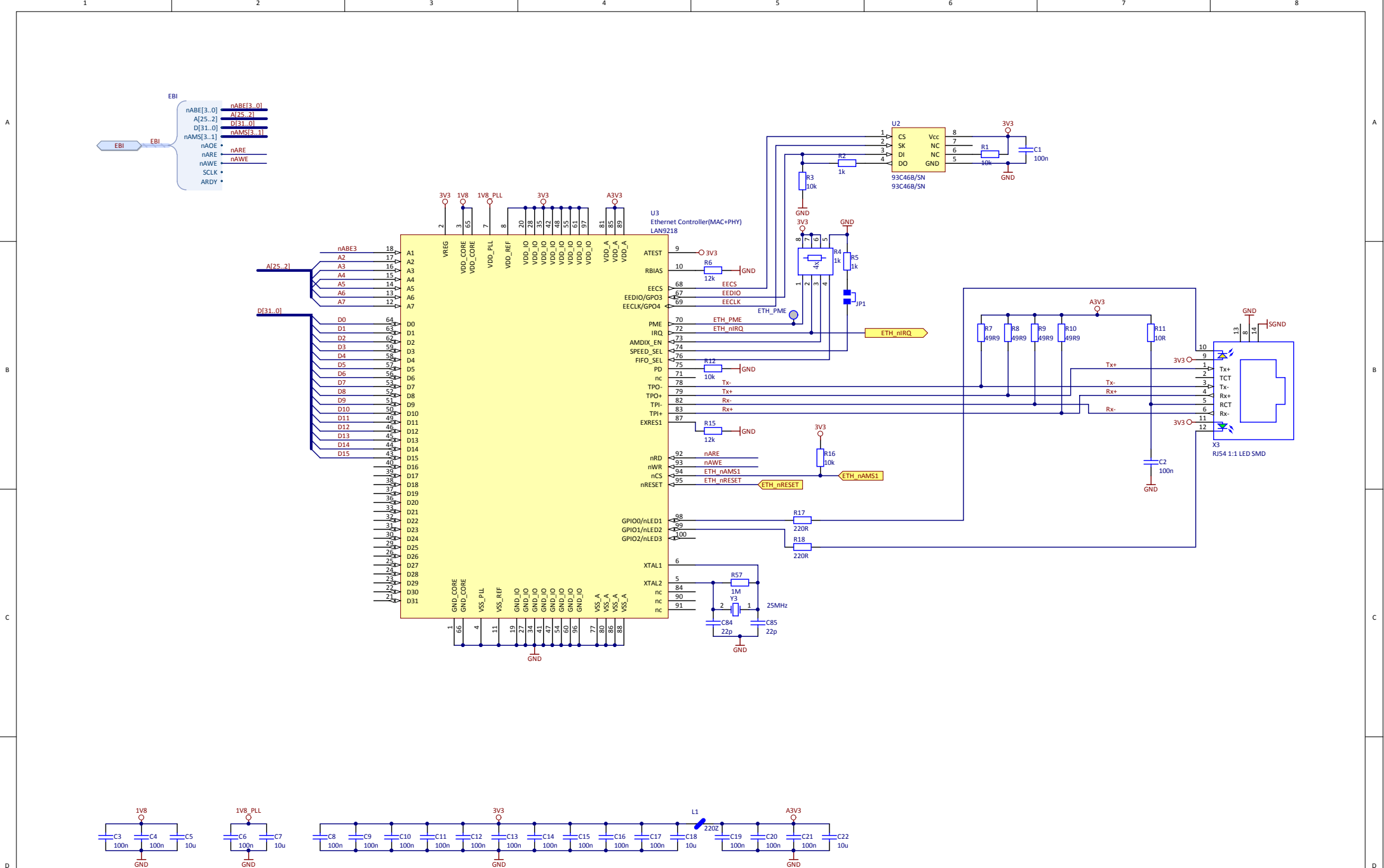
eDEV-BF5xx	PN2010026	Bluetech
	Rev: V2.0	Waidhausenstr. 3/19
Buffer	Size: A4	A - 1140 Wien
	Sheet 5 of 7	AUSTRIA
Drawn By: DST	Last Update: 13.02.2012	
Checked By: ROB	Filename: Buffer.SchDoc	

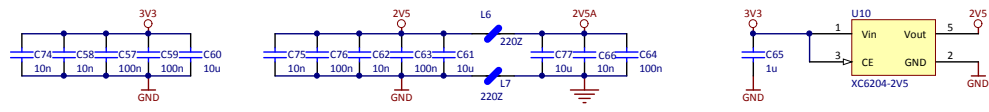
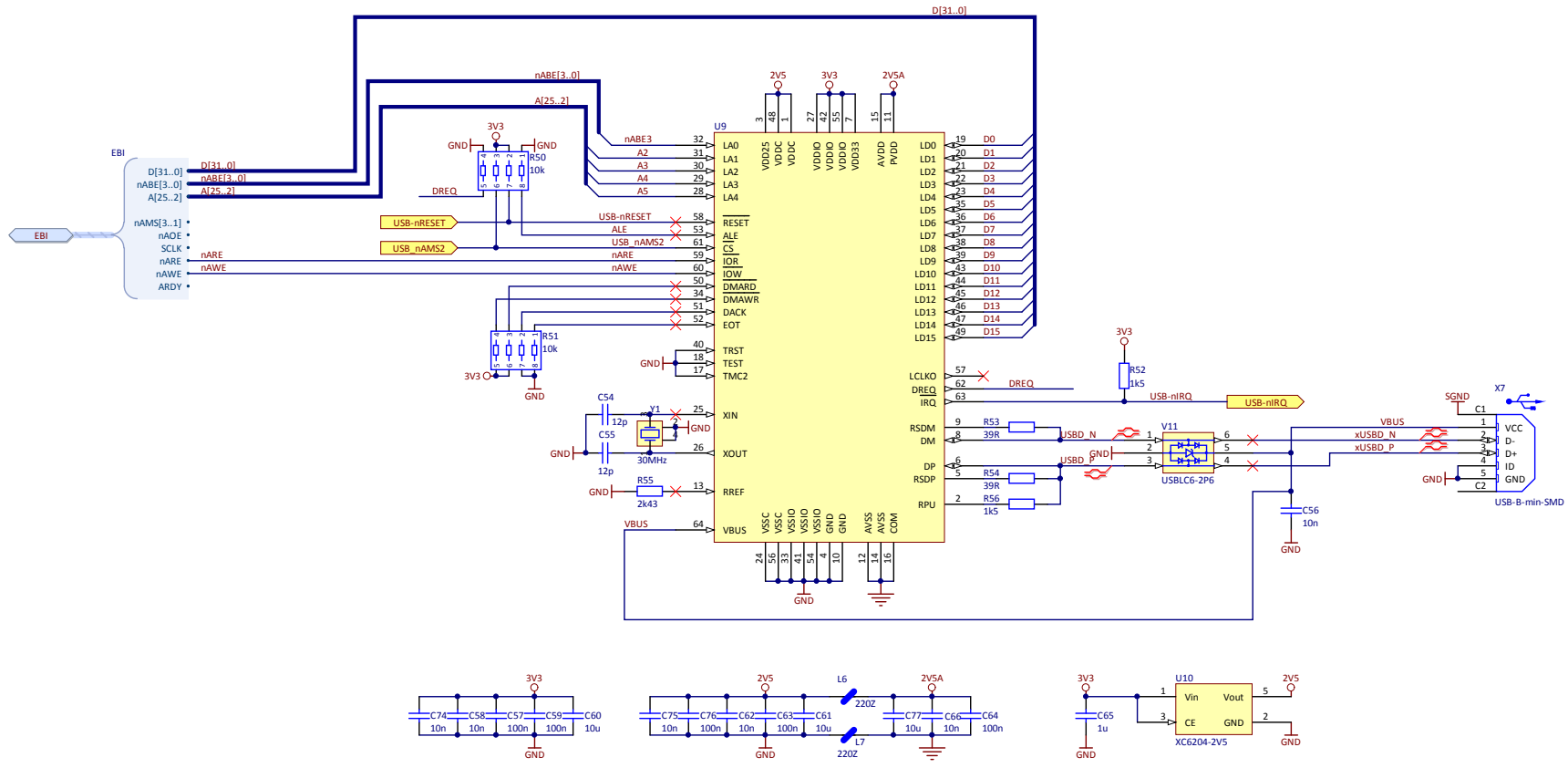




eDEV-BF5xx	PN2010026	Bluetechnix
	Rev: V2.0	Waidhausenstr. 3/19
Buffer	Size: A4	A - 1140 Wien
	Sheet 5 of 7	AUSTRIA
Drawn By: DST	Last Update: 13.02.2012	
Checked By: ROB	Filename: Buffer.SchDoc	







USB Device Controller

UART-USB Bridge

